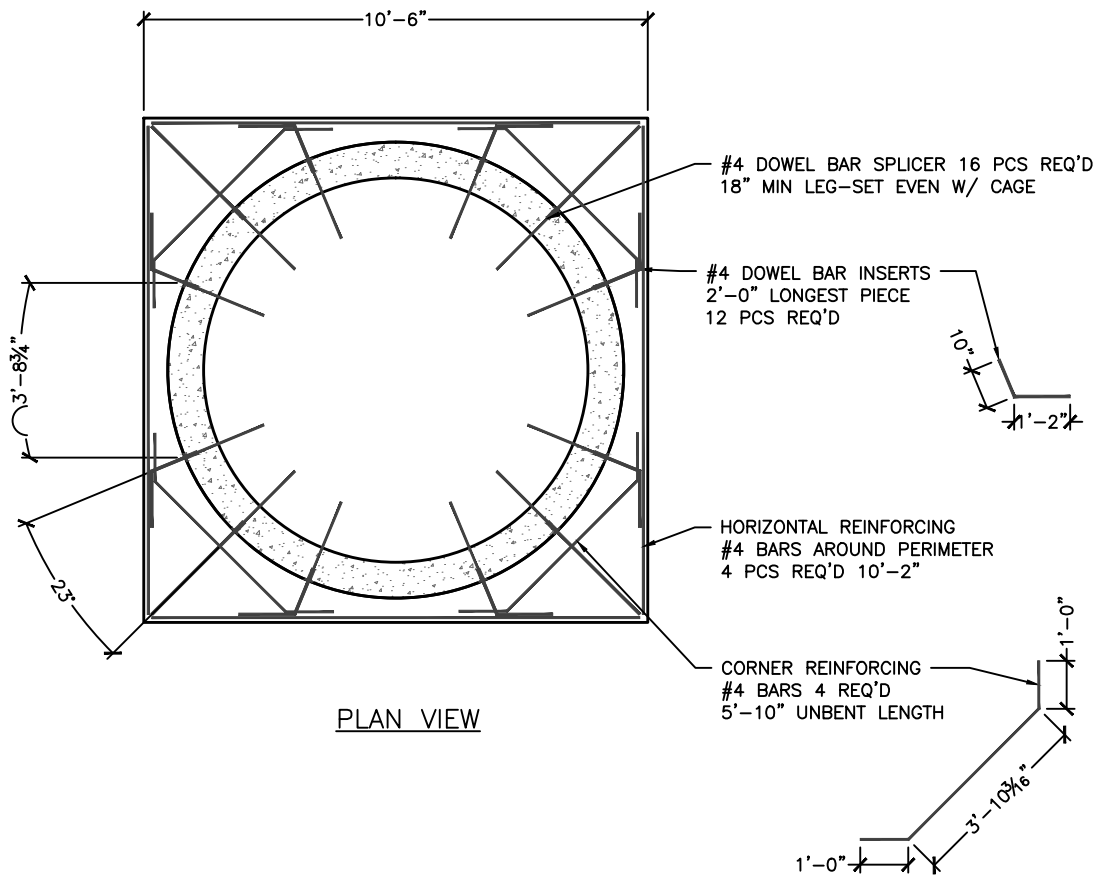


ELEV VIEW



PLAN VIEW

Revised: 7/21/14

DWG NO.
S1

Customer:

Project Name:
Project Location:

8' DIAMETER EXTENDED BASE

Project No.

Scale: AS SHOWN

Date:

Designed by:

Drawn by: PIL

Checked by: XXX



173 BUXTON INDUSTRIAL DRIVE-PO BOX 870
HENNIKER, NH 03242
PHONE: 603-428-3218
FAX: 603-428-7426
www.michiecorp.com