

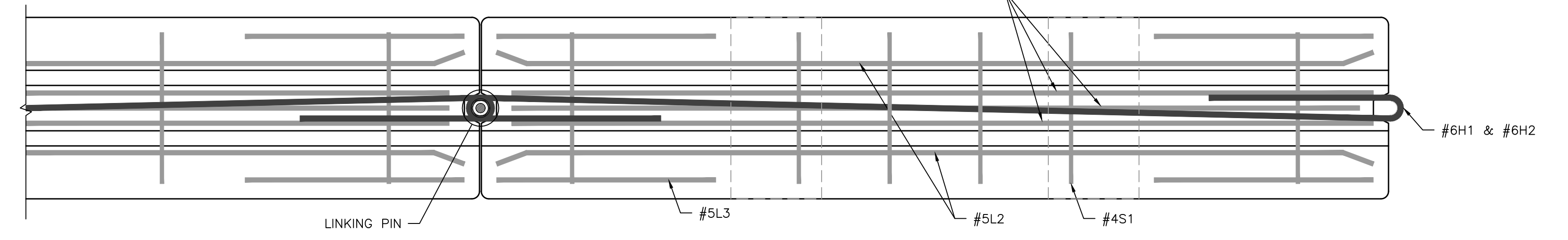
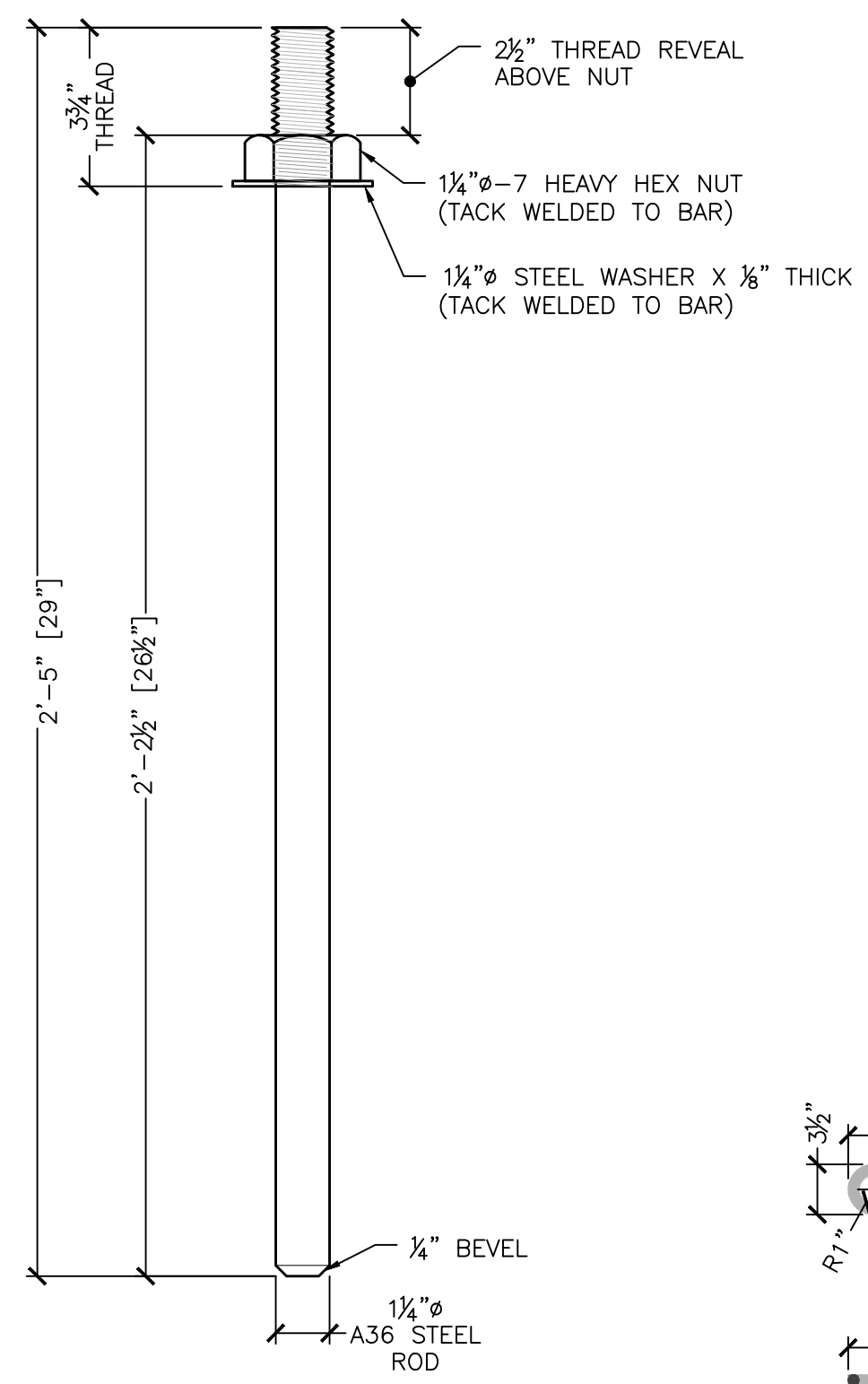
- NOTES:
1. CONCRETE SHALL BE LIGHT COLORED NHDOT CLASS "AA" CONCRETE HAVING A MINIMUM 28-DAY COMPRESSIVE STRENGTH OF 4,000 PSI. CONCRETE SHALL BE NHDOT-APPROVED MIX DESIGN. BARRIERS SHALL HAVE A SMOOTH UNIFORM SURFACE FREE OF DEFECTS AND IRREGULARITIES. CASTING DATE SHALL BE SHOWN ON BARRIER. ALL EXPOSED EDGES OF CONCRETE SHALL BE CHAMFERED 3/4" UNLESS OTHERWISE NOTED.
 2. ALL REINFORCING STEEL SHALL BE PER AASHTO M31 (ASTM-A615) GRADE 60.
 3. EACH BARRIER UNIT SHALL INCLUDE ONE LINKING PIN.
 4. DELINEATORS BY OTHERS.
 5. IN LIEU OF BARRIER CLAMPS, BARRIER MAY BE MOVED/INSTALLED USING LIFTING PINS THROUGH SUPPLIED SLEEVES OR LIFTING STRAPS THROUGH THE DRAINAGE SLOTS.
 6. BARRIER DETAILS AS SHOWN ON THIS SHEET ARE IN COMPLIANCE NHDOT STANDARD PLAN FOR "PORTABLE CONCRETE BARRIER W/ DRAINAGE SLOTS" ITEM NO. 606.41731
 7. POCKETS AND SLOTS FOR BOLT-DOWN TYPE BARRIER ARE OPTIONAL FOR ADDITIONAL COST.

10' STD TEMP - (#) REQ'D
ITEM 113000D
UNIT WEIGHT AND VOLUME:
4,180# (0.99CY)

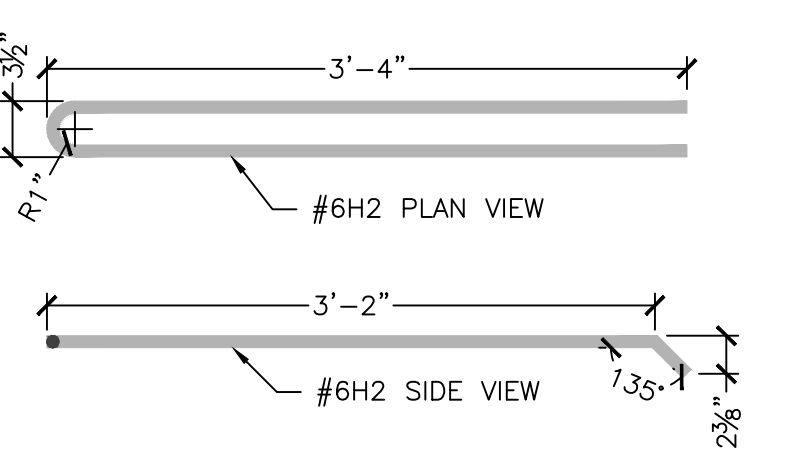
1 UNIT GEOMETRY END VIEW
S1.0 1" = 1'-0"

2 UNIT GEOMETRY (SIDE VIEW)
S1.0 1" = 1'-0"

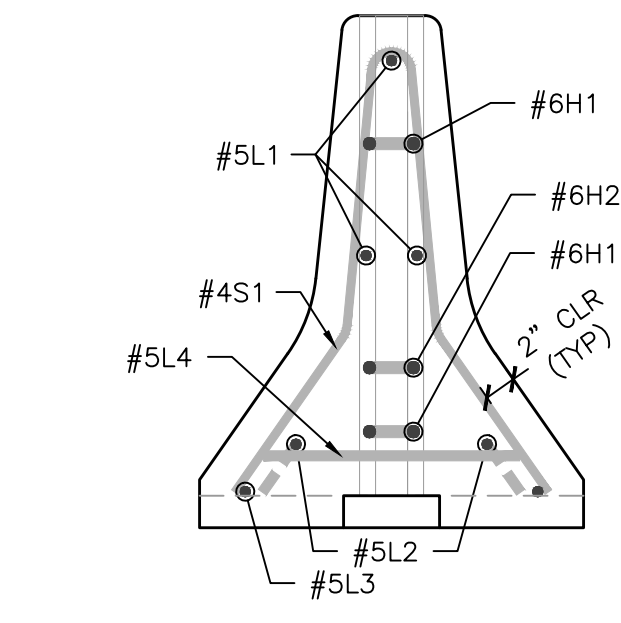
REINFORCING SCHEDULE					
MARK	QTY	SIZE	SPACING	TYPE	CUT LENGTH
#5L1	3	#5	AS SHOWN	STRAIGHT	9'-8"
#5L2	2	#5	AS SHOWN	BENT	9'-10"
#5L3	4	#5	AS SHOWN	STRAIGHT	2'-5"
#6H1	2	#6	AS SHOWN	HOOK BAR	14'-9 1/2"
#6H2	2	#6	AS SHOWN	HOOK BAR	6'-10 1/4"
#4S1 @ END	2	#4	AS SHOWN	STIRRUP	5'-1"
#4S1 @ MID	4	#4	AS SHOWN	STIRRUP	4'-11"
#5L4	6	#5	W/ STIRRUP	STRAIGHT	1'-4"



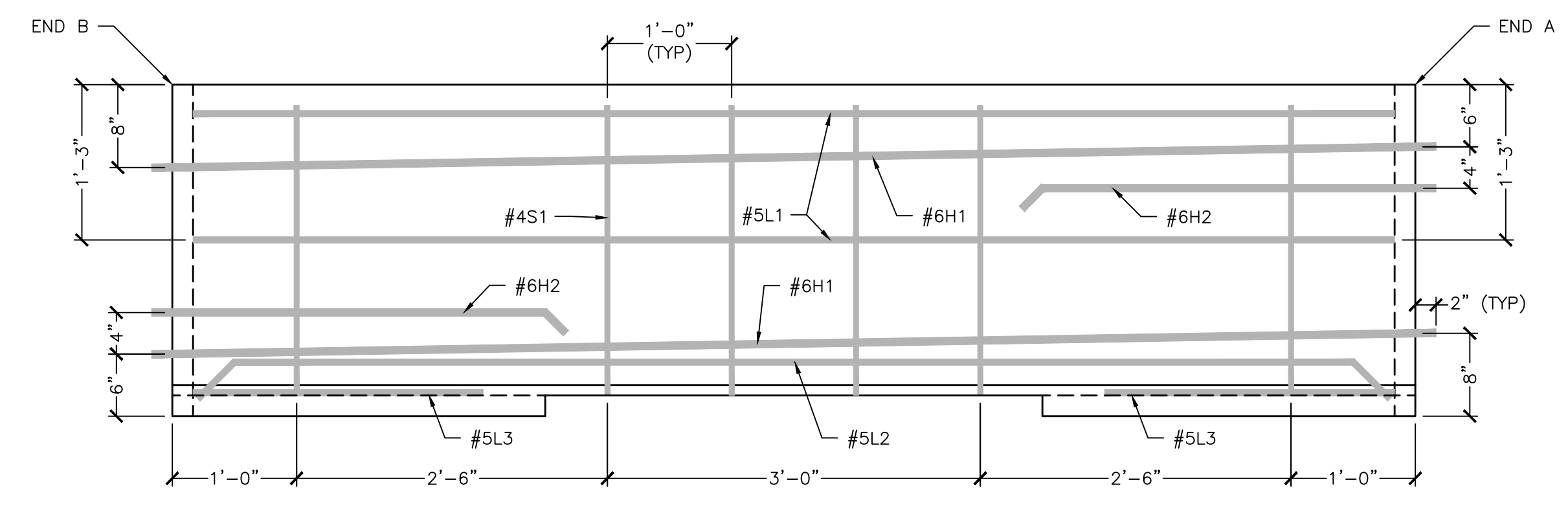
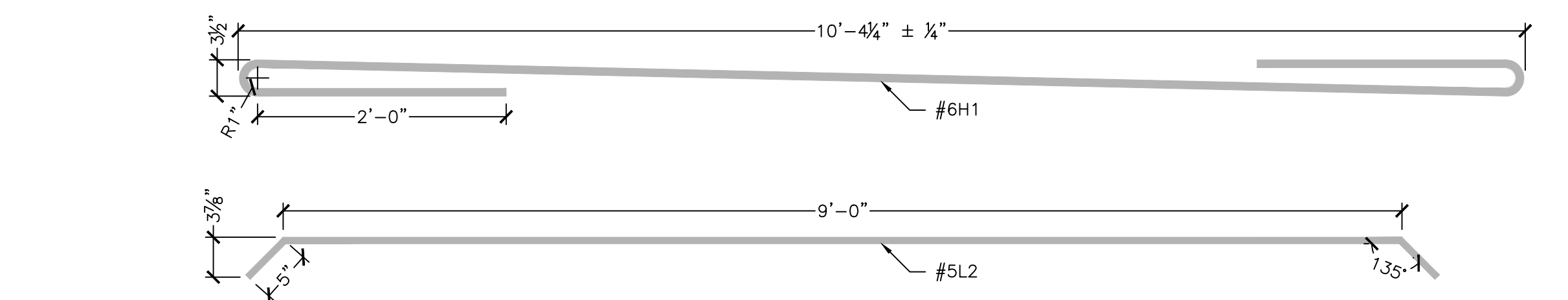
3 REINFORCING AND CONNECTION DETAIL (PLAN VIEW)
S1.0 1" = 1'-0"



9 CONNECTION PIN DETAIL
S1.0 3" = 1'-0"

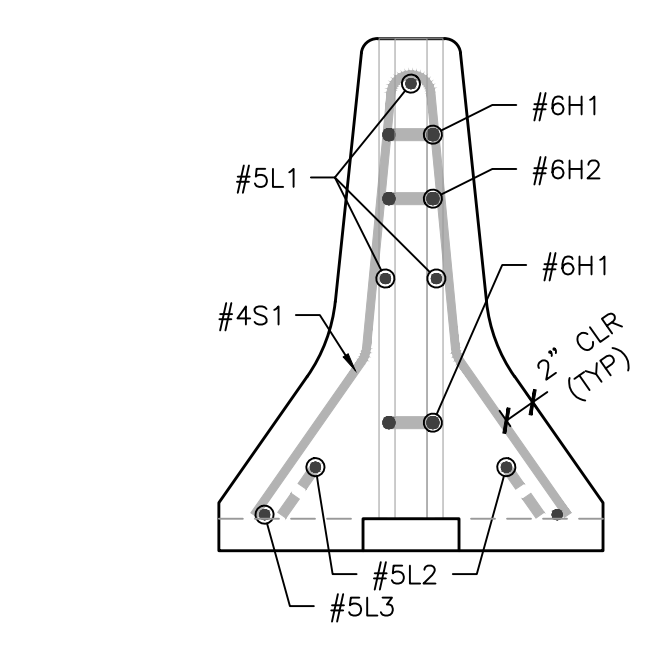
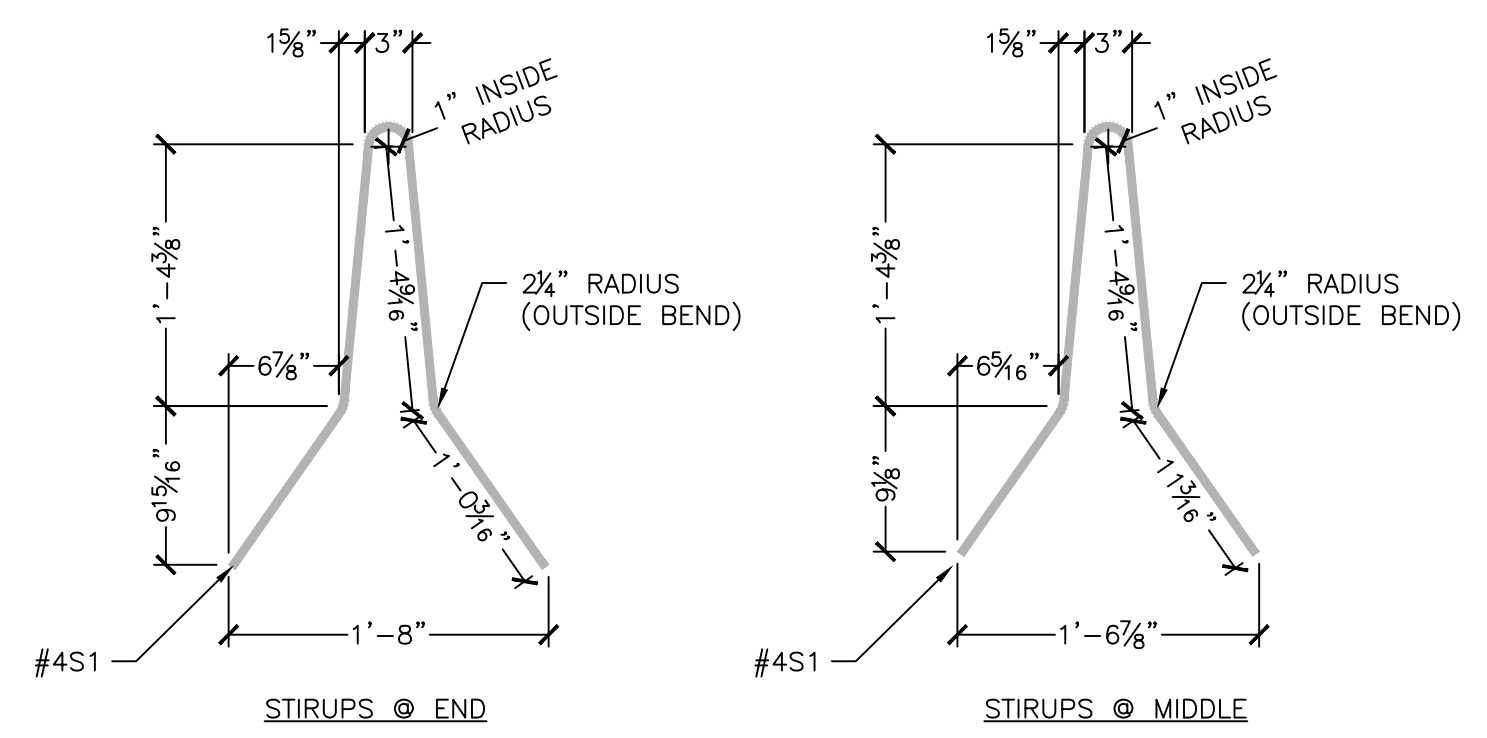


4 REINFORCING (END B VIEW)
S1.0 1" = 1'-0"



5 REINFORCING (SIDE VIEW)
S1.0 1" = 1'-0"

8 END NOTCH DETAIL (PLAN VIEW)
S1.0 1.5" = 1'-0"



6 REINFORCING (END A VIEW)
S1.0 1" = 1'-0"

MICHIE
MICHIE CORPORATION, INC.
173 BUXTON INDUSTRIAL DRIVE-PO BOX 870
HENNIKER, NH 03242
PHONE: 603-448-9242
FAX: 603-428-7426

Michie Corporation
10' Portable Concrete Barrier (NHDOT)-Item No. 606-41731
Scale: AS SHOWN
Checked by: xxx
Drawn by: CID
Designed by: CJP
Project No:
Date:

Prepared for:
Michie Corporation
PO Box 870
Henniker, NH 03242

DWG NO.
S1.0

S:\CALCULATED\CONS\BARRIERS\BARRIERS\10' STD TEMP\BARRIERS\10' STD TEMP.dwg (NHDOT) 10/18/2017 10:47 AM